



THE TARA NEWS

Affiliate of the American Radio Relay League

Volume 19 © Issue 02 February 2009

Guest Speaker Bill Continelli - W2XOY Meeting moved to February 24, 2009

Our next monthly meeting for TARA will take place on Tuesday - February 24, 2009 at 7:00 PM at the Green Island Municipal Center, 19 George Street. Please, take note that this will be one week later than we usually have our meetings due to a scheduling conflict with the Village of Green Island for February 17, 2009, which coincidentally would have been the transition date over to Digital TV from Analog, but it didn't happen, either. See what a great lead in this makes for announcing our Guest Speaker for this month. 😊

Our guest speaker for is going to be Bill Continelli W2XOY, and his topic of discussion will be "Analog TV - Dead or Alive??" Plus, he'll have plenty of stuff on the "New HD Digital Package" we're all waiting for. It should be a very interesting topic of discussion considering the fact that the transition to Digital TV has recently been delayed by the Obama Administration until June for many TV Stations. There is much confusion over this topic because some stations have decided to ignore the June transition and changed over on February 17th, anyway.

Please, mark your calendar right now for this new meeting night and let's show Bill, W2XOY, we are all excited to have him back again with another great presentation.

Thank You,
Bill M2U

ARRL Executive Committee Issues Mobile Amateur Radio Operation Policy Statement

On January 30, at the instruction of the Board of Directors at its January 2009 meeting, the ARRL Executive Committee adopted a policy statement on mobile Amateur Radio operations. The statement addresses the growing number of proposed state and local laws and ordinances regulating the use of cellular telephone and text messaging, inadvertently affecting Amateur Radio mobile communications.

In its statement, the Executive Committee urges state and municipal legislators to limit the scope of their proposals, limiting them to devices such as full duplex wireless telephones and related hand-held or portable equipment. Alternately, it suggests that licensed Amateur Radio operation be listed specifically as an exclusion to the proposed regulations.

The ARRL Policy Statement also recognizes the responsibility of the amateur community to conduct its activities in a manner that does not create unsafe operation of their motor vehicle.

***** Editor's Note *****

Now is the time that all amateur radio operators must step up to the plate and approach their Legislators and local politicians "POLITELY" when they see or hear that State Legislation, Local Laws or Ordinances concerning devices such as full duplex wireless telephones and related hand-held or portable equipment are being Drafted to make sure that there is an Amateur Radio Exclusion in the proposed Legislation.



More than a Club



We're a Family



Upcoming Public Service Events



Greeting to all,

We will start our 2009 Public Service Events with Green Island's famous "**Runnin of the Green**" on March 7th at 10:00 AM. I am looking for approximately 9 volunteers to help me cover this run. It is a very easy and fast run for anyone who would like to try volunteering for the first time, this year and can be done with a hand held or mobile rig.

We will be doing the GHI Workforce Team Challenge on May 21st which will be on a Thursday evening. This race starts at 6:25 PM and is usually done by or before 8:00 PM. The GHI Workforce Team Challenge is the Capital Region's workforce team run — and the largest annual road race between Utica and New York City. There were 7,186 runners and 393 participating companies/organizations in the 2008 race — a record turnout. Also, don't forget the Freihoefer "Run for Women". We will also be doing other races during the year. As soon as I hear from the other coordinators. Then as always, we will end the 2009 year with the 2009 Pumpkin Patrol !

I hope to see many new volunteers as well as my faithful ones joining forces and supply great radio communication to all involved with the races and public service events. If you would like to volunteer to help me or if you have any questions about events or signing up, you can call me anytime at 273-6594 or Email me at KS20@N2TY.ORG .

Thanks & 73.

Karen KS20

Hudson Division Newsletter Awards

Hudson Division Club Newsletter Award for 2008 goes to the Peconic ARC Hudson Division Assistant Directors picked the best newsletter in 2008 as "PARC Serves" the newsletter of the Peconic ARC in Suffolk County New York. The club newsletter was selected twice last year as monthly best. Editor Paul Birman, WA2JPJ was unable to be presented his plaque at HRU in early January because he was in sunny Ft. Lauderdale, Florida (lucky lad) but he will be on hand in early February when Director Fallon will make the presentation at a club meeting. Check the division web page

<http://www.hudson.arrl.org/newsletterawards/2008/200804PeconicARC0408.pdf>

for a copy of the newsletter and other top division club newsletter.

Well done, Paul!

=====> DIVISION NEWSLETTER OF THE MONTH

Please take a look at

<http://www.hudson.arrl.org/pages/newsletterawards.htm>

The January 2009 award goes to LIMARC for February 2009 edition of The LOG. Congratulations to editor Rich Levov WA2NLL for a job well done.

A Word of Thanks

I had a great time, and was glad to see so many at the rescheduled Christmas Party. Sorry I wasn't able to wander around and talk to many of you, but, my knee is not near normal duty yet. I left my cane in the car, so that I didn't hit anybody with it.

I had a Very good time and want to say THANK YOU, to those people who helped to set up, tear down, cook food, bring stuff, and so on.

I felt bad, that I wasn't able to help do anything except bring some Diet Pepsi.

Too often it is the same 6 or so people that do Much of the work.

Well to those Hard working people, I again say Thank You.

Hope to see everyone again soon. :)

K2HAT
Lee Hatfield Jr
Kat in the Hat



Below are the dates/times for ATVET for 2009 exam sessions over at RPI. These dates/times will soon be posted to the TARA web site but for now please pass the word around. ALWAYS remember to check back just before each exam date to make sure things haven't changed.

**Happy 25th Anniversary ATVET
Proudly Serving the Capital District Since 1984**

DATES/TIMES:

- FEBRUARY 21 - SATURDAY - 10:00 AM
- APRIL 25 - SATURDAY - 10:00 AM
- JULY 22 - WEDNESDAY - 7:00 PM
- OCTOBER 17 - SATURDAY - 10:00 AM
- NOVEMBER 14 - SATURDAY - 10:00 AM

Doors open 45 minutes prior to each exam date above

**ATVET Liaison: Gerald Murray, WA2IWW
wa2iww@nycap.rr.com
518-482-8700**

From Our Net Manager



Do you pass your traffic with this "Official NTS Mug" by your side? I do, but I won't say what's inside it.

73 DE W2SFD

George Burns

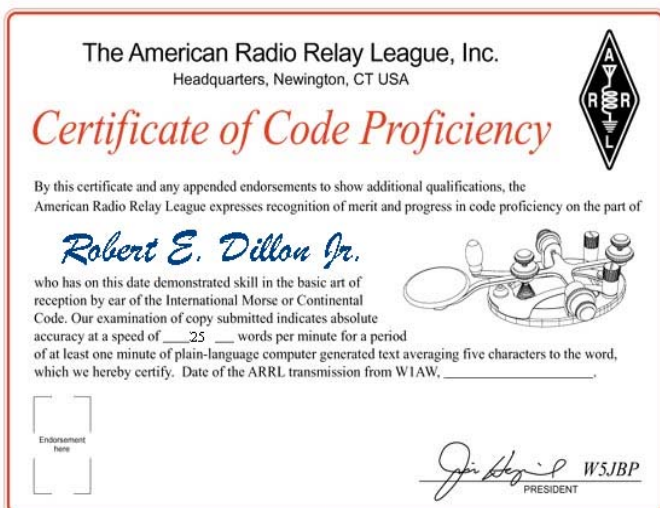
C.D.T.N. Net Manager

KC2SKI ACHIEVES 25 WPM

The man is like the proverbial Energizer Bunny, He just keeps going and going and going.

We are proud to announce that Robert E. Dillon, Jr. - KC2SKI has done it again for the second month in a row. This month Bob received his **25 Word Per Minute Morse Code Proficiency Certificate from the American Radio Relay League**. He has been working on these awards over the past few months. These are difficult plateau's to achieve, but Bob keeps on reaching them. It's great to see someone that still wants to achieve such an honor as this. **FIRST CLASS JOB, ROBERT!!**

Since that time, Bob continues working towards his **30 WPM** and during the interim Bob is extremely busy passing Traffic via the National Traffic System and the Capital District Traffic



Tuning Up Your Tuner

I overheard a lengthy discussion on the local repeater between a group of newer licensees about the “best” way to tune their HF antennas to their rigs. Their major concern was to prevent damage to the transmitters finals, and to prevent harmful interference to others. Several operators were using external, inexpensive matching devices (popularly sold as antenna tuners). They expressed frustration about the amount of time it took to make the correct adjustments to achieve an acceptable swr. To add mystery to the mix, the use of an external linear amplifier proved to be a daunting chore. Reflecting on their concerns, I decided that they could benefit from the use of that old standby: the RF noise bridge.

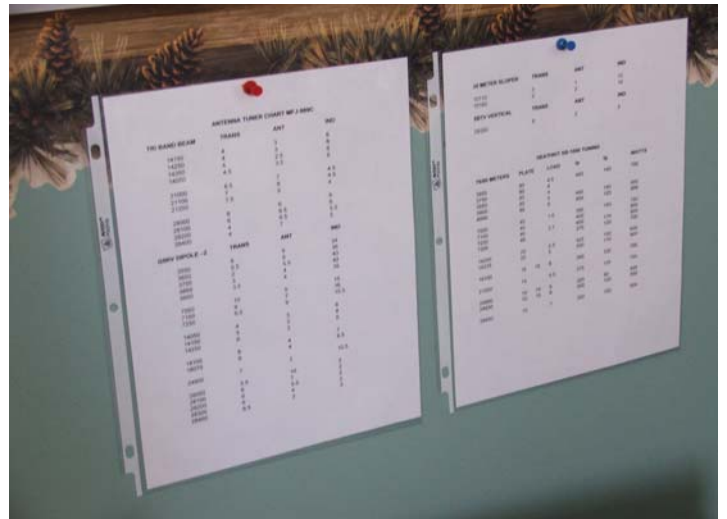


Some time spent with a noise bridge, properly cabled between the tuner and transceiver can be most productive. This is generally done through the use of a “T” coaxial fitting, and appropriate cabling, allowing the bridge to inject its output into coaxial cable. The instructions can be found in the [ARRL Handbook](#) as well as those supplied with the noise bridge. With the bridge “on” and while listening to the receiver, it is easy to find the optimum setting for your tuner, which will result in the lowest SWR. **It’s a good idea to unplug the transceiver’s microphone and key when making these tests, because an accidental transmission will “cook” the bridge!** As the settings are made at different frequencies, jot them down for later reference. About 5 frequencies per band should suffice. You can use your word processor to print up a

neat chart that can be kept within view when setting up your rig. Make a similar chart for each antenna you use. (You could even draw a tuning graph for each band!)

When changing bands or QSYing, just use your chart or graph to preset the tuner controls before transmitting. (If your antennas are strung through trees, you may have to make fine adjustments to compensate for seasonal changes brought about by leaves.)

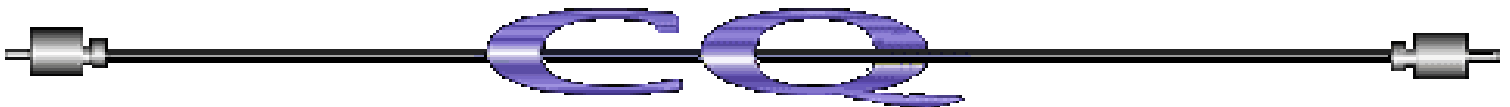
If you use a linear amplifier, the “T” connection will be made between the transceiver and the amplifier input. (With the amplifier “OFF”) The antenna and tuner will remain cabled to the amplifier output per normal operation. While you’re at it, you may want to make a similar tuning chart for the amplifier.



An hour or two spent performing these simple tests will result in faster band changes, and will reduce the possibility of damaging equipment and making unnecessary on-the-air tests. Give it a try and be ready for great HF excitement as the sunspots begin to recharge our ionosphere!

GOOD DX AND 73,

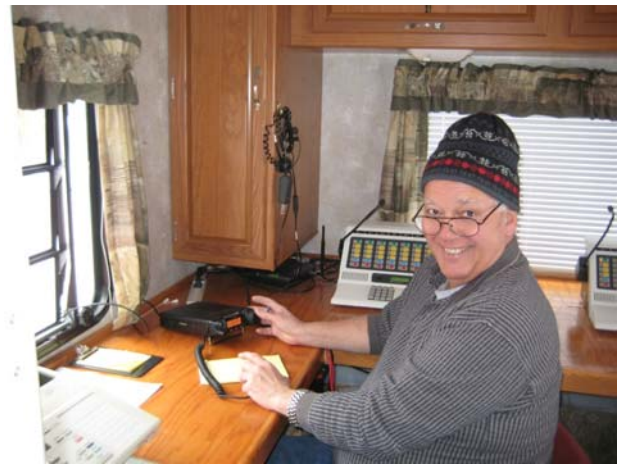
Steve VanSickle - **WB2HPR**



Amateur Radio & C.D.T.N. at Winterfest 2009

On Saturday, February 7, 2009, members of the Schenectady Amateur Radio Association (SARA) and the Capital District Traffic Net (CDTN) worked together to demonstrate amateur radio and traffic handling at Winterfest 2009 at Indian Meadows Park in the Town of Glenville.

Amateur radio participation in the event was arranged by Armand Canestraro, WA2EQW, Chairman of the Glenville Park Planning Commission, and Bob Nicolella, WB2FLX. Volunteers from SARA and CDTN were asked to provide an opportunity for event attendees to learn about amateur radio, see it in operation, and to send Radiograms from the event.



Tim Long, W2UI at the mike inside the Schenectady County Command Post

Using the Schenectady County Mobile Command Post as Communications Headquarters, SARA members Tim Long, W2UI, and Jim Stewart, K2PK, demonstrated HF radio using a

home-brew 20-Meter dipole Tim built on-site for the occasion. With only minor tuning, they were able to work Europe, South America, and South Africa, and conducted several demonstration sessions for event attendees.

Radiograms were passed on the SARA 147.060 repeater by SARA member and frequent CDTN traffic handler Larry Eaton, KC2BLC, to Lee Hatfield, K2HAT, of CDTN. Lee, acting as Net Control Station, was backed up by Alternate Net Control Station Bob Dillon, KT2D, also from CDTN. In all Larry and Lee passed twenty Radiograms out and two into the site for event attendees. Lee was able to deliver ten of the messages during the event, and left phone mail messages for four others. The remainder were passed on CDTN, OCTEN, and EchoLink. Inbound messages were delivered to recipients at the event. A third inbound message received after the event was also delivered.

Other amateurs whose efforts contributed to the success of this event include Bill Proctor, KC2NXC, SARA member Ken Morris, K2UYK, and CDTN Manager George Burns, W2SFD.

Numerous Winterfest attendees visited the amateur radio information table and saw demonstrations in the Command Post. The demonstrations may have encouraged two inactive hams to dust off their rigs and excite some electrons. They certainly excited some young people as amateurs demonstrated HF, traffic handling, and provided them with some on-air time.



Armand expressed his pleasure with the successful results and thanked all of the amateurs who volunteered. He followed up with an invitation to SARA and C.D.T.N. to come back for Winterfest 2010.



TARA's January Christmas Party AFTER THE ICESTORM



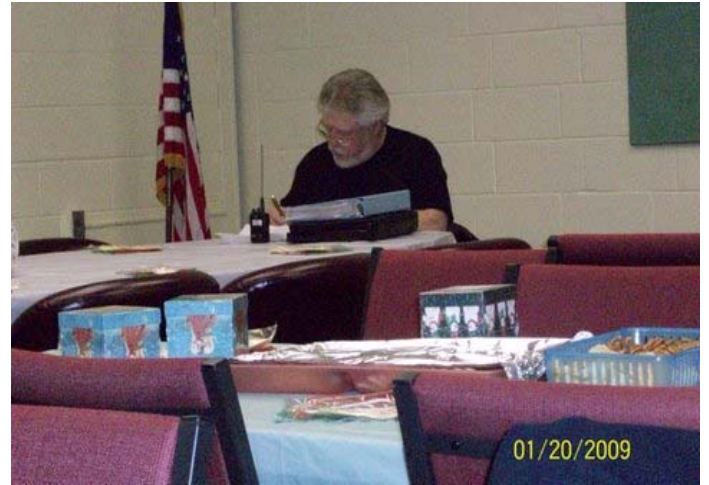
Mr. Bill welcomes a Standing Room Only Crowd to the Annual TARA Christmas Party



Craig , W2XAD is either glowing or Lee, K2HAT is using his forehead for bounce lighting



The Good, the Bad and the Ugly. YOUR CHOICE !



Howie, N2HIC - our Treasurer, cooking the Books.



Art & Joan



Dave & Jan

TARA's January Christmas Party



What new radio toys do you have, Tony



Ya know whatcha can do with that Camera



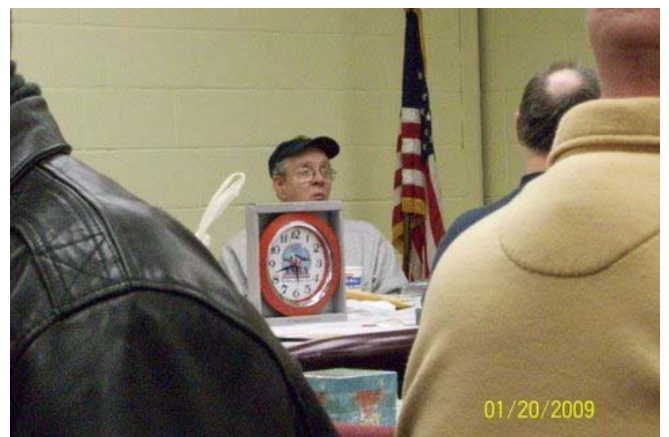
**Uncle Earl – KB2SLE
The Master of our Baked Beans**



**Tom & Jerry
Don't even go there !!**



**It was good to see Joe and Leo, again !!
“The Polish Dynamic Duo”**



**It looks too crowded in here to Fly tonight
But You never know**

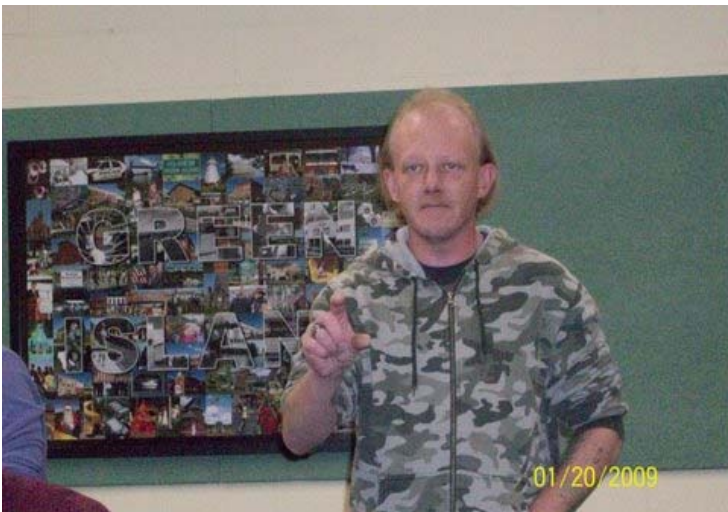
TARA's January Christmas Party



Smile for the Camera, Lee !!



Howard, don't turn Around. There's Lee!



Hey Dummy, Take off the Lens Cap



A Special Gift for Everyone !



He's Back with that Camera, Again



**That's All Folk's
Photo's Courtesy of Lee -K2HAT**

Laura L. Smith, Named to Amateur Radio Enforcement Role

Laura L. Smith of Pennsylvania has been named by the FCC to fill the vacancy created when Riley Hollingsworth, K4ZDH, retired in 2008 as Special Counsel for the Spectrum Enforcement Division of the FCC's Enforcement Bureau. Hollingsworth served in that position for more than 10 years as the FCC's enforcement watchdog over the Amateur Radio Service.

A 1990 graduate of the Pepperdine University School of Law, Smith began her legal career with the FCC, working in the Mass Media Bureau and Wireless Telecommunications Bureau. She also served as Deputy Division Chief of the Public Safety and Private Wireless Division. Smith is currently licensed to practice in the Commonwealth of Virginia.

In 1998, Smith left the FCC to become Executive Director of Governmental Affairs for the Industrial Telecommunications Association (ITA), now Enterprise Wireless Alliance. In that role, she monitored FCC and legislative proceedings and participated in all regulatory proceedings relevant to the private wireless industry. In 2001, Smith became ITA's President and Chief Executive Officer. While in that position, she was instrumental in the formation of the Consensus Group, a group of public safety and private wireless entities responsible for drafting the "Consensus Plan," a proposed resolution for interference in the 800 MHz band; this was adopted by the FCC in 2004.

Smith returns to the FCC after serving Of Counsel with the Maryland law firm of Shulman Rogers. While there, she dealt with telecommunications matters and provided counsel to numerous entities in the private radio and public safety communities. Smith has served as an industry consultant and written columns for a variety of trade publications including Mobile Radio Technology Magazine and The Private Wireless Magazine.

In an October 2008 letter to then-FCC Chairman Kevin Martin, ARRL President Joel Harrison, W5ZN, urged Martin to name a successor to Hollingsworth: "The appointment of a replacement Special Counsel in this position is of critical importance to the Amateur Radio Service,

as the delay in finalizing the appointment stands to undermine in very short order an exceptionally successful and low-cost program of enforcement in the Amateur Service."

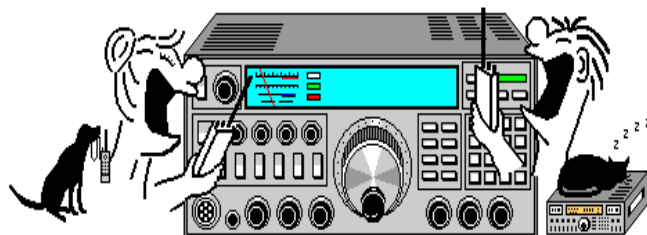
Calling the FCC's Amateur Radio enforcement program "spectacularly successful," Harrison reminded Martin of the "long period in the late 1980s and 1990s during which the Commission was essentially uninvolved in enforcement in the Amateur Service. The Amateur Service, consisting of some 680,000 licensees of the Commission, is in essence a self-regulating service; however, due to the shared frequency allocations in the Service and the long distance propagation of amateur communications, a very few rule violators can cause severe disruption in the Service. On the other hand, even a minimal Commission presence has a very strong deterrent value."

When Hollingsworth was appointed as Special Counsel for Amateur Radio Enforcement, Harrison said that Hollingsworth "established a visible presence in the Service and very quickly, and with very little investment of Commission resources, using little more than the awareness of an enforcement presence, created strong deterrence against rule violations."

Upon learning of Smith's move to the Amateur Radio enforcement role, Harrison remarked that he was "very pleased to see the Commission move forward with the hiring of a new Special Counsel responsible for enforcement of the Amateur Radio Service rules," said Harrison. "Ever since Riley Hollingsworth announced his retirement, we have met with the Enforcement Chief numerous times and corresponded with FCC Chairman Martin to ensure this position remains intact at FCC. The Commission acknowledges the self-regulating environment we maintain, but also understands that we need their assistance occasionally to resolve a few situations. They have continually reassured us that this is an important matter for them, and Ms. Smith's hiring confirms that."

W1AW to QSY on 160 Meters

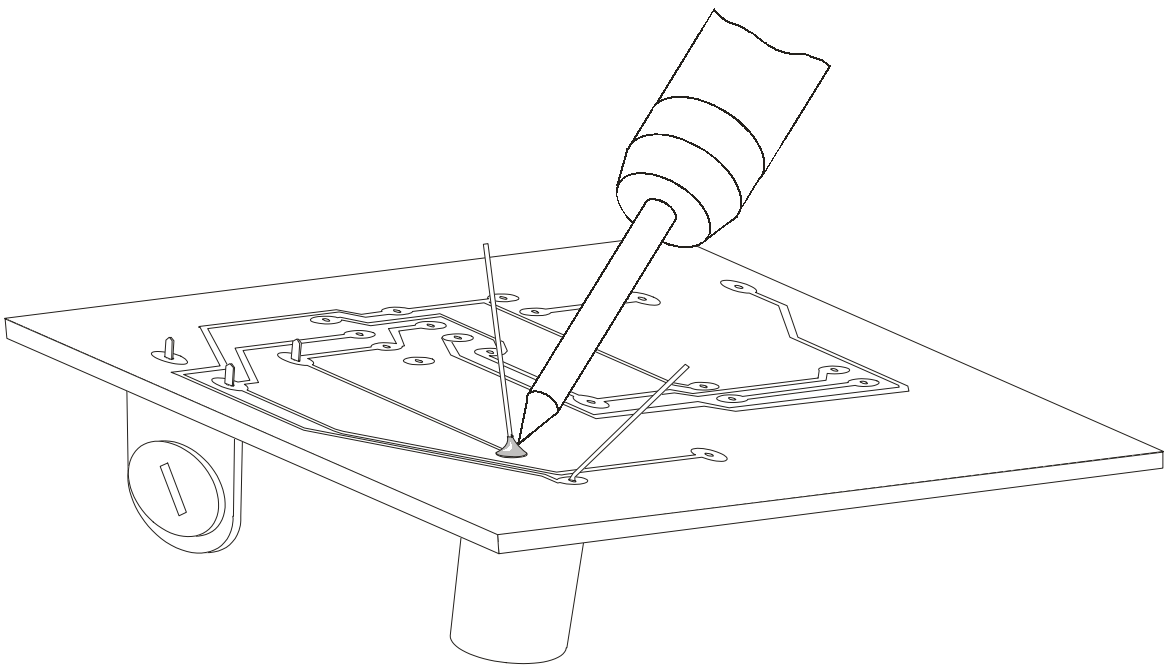
Starting Monday, March 9, Maxim Memorial Station W1AW will be using a new 160-meter frequency for its CW transmissions. To accommodate increasing activity near the current bulletin frequency of 1817.5 kHz, W1AW will move to 1802.5 kHz to reduce the possibility of interference



Soldering & Surface Mount Technology

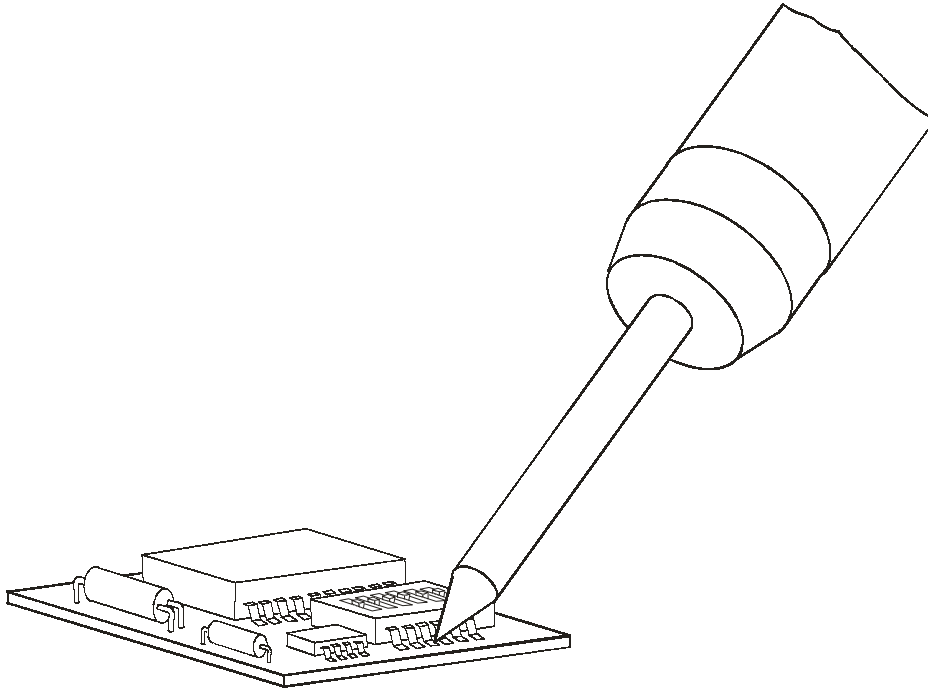
By Dave Leavenworth - WB2TGN

I etched and built my last printed circuit design back in the '80s. With some help, I came up with my own method, etched my own boards and built my own projects. My method was crude but effective. I used to love that stuff. Then I got away from kit bashing, product alteration and the like, for about 23 years. Now I see these ultra small electronic components that I had never seen before. The past 2 years have been quite an eye opener for me. I could not even imagine how to solder a simple resistor to a "surface mount" PC board let alone an IC. I was stumped. Back in the day, the printed circuits looked like the wide open spaces as shown in the drawing below.



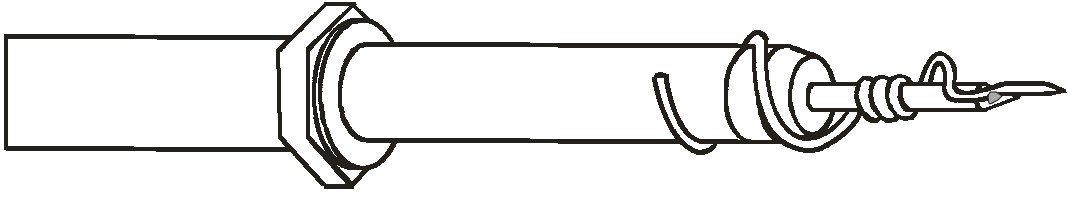
Notice that the soldering pencil has lots of room to flow solder on to the pad. Even ICs (integrated circuits) have a bit of a roomy-type area to solder in as well.

However, using that same soldering pencil for a “Surface Mount” project is quite the challenge. I have been investigating the different ways to deal with “Surface Mount Devices” (SMDs) and it seems that there are many ways to deal with this stuff depending on the application of the soldering iron / pencil. (YouTube shows a few methods)

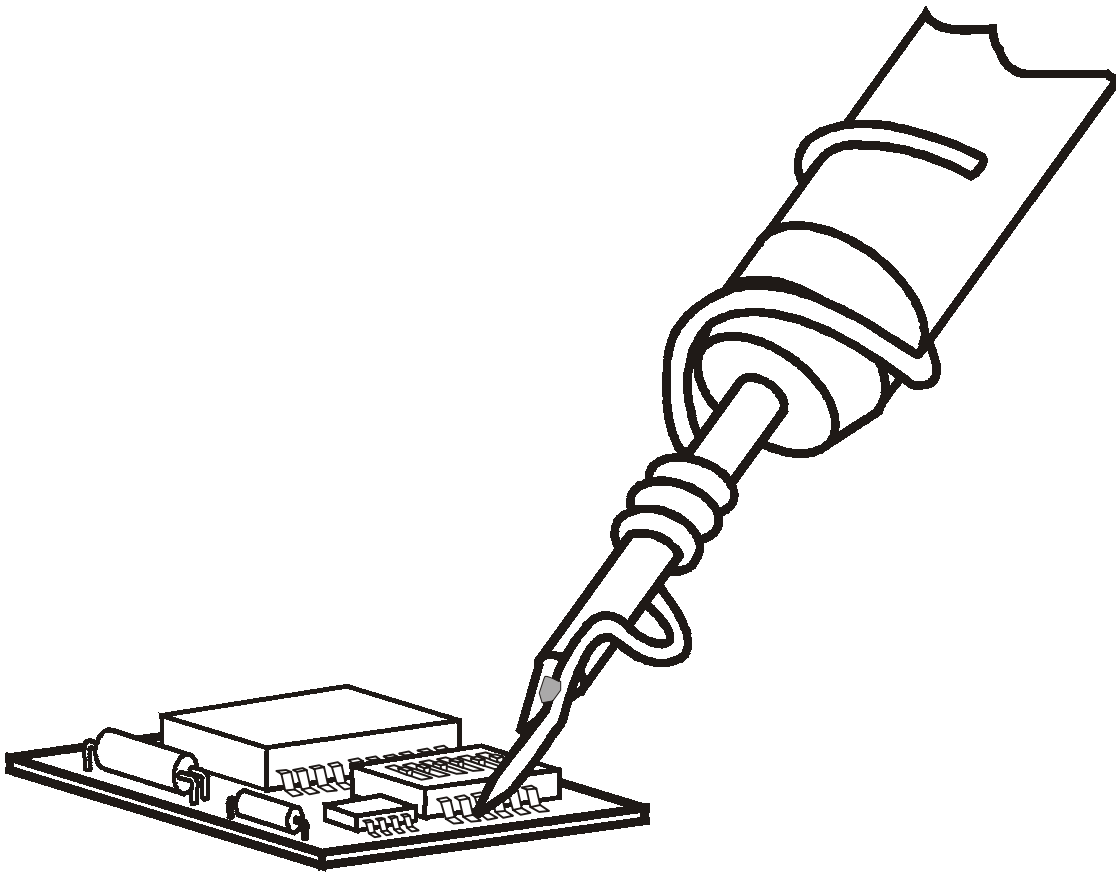


Upon closer inspection of the above situation, it seems that the possibility for solder bridges is quite great. It seems to be the equivalent to “charcoal broiling a steak over a pilot light” in my estimation. I brought this dilemma to my mentor Stan WA2UET and he showed me a trick that he uses to conquer the “small space soldering blues”.

He uses a piece of #14 house wiring wrapped around the business end of the soldering pencil. All the coils that are illustrated are only used to hold the wire to the soldering device. If you look closely at the illustration, toward the tip you’ll see a solder bridge. That is necessary and is used to transfer the heat from the soldering tip to the wire tip. If that is not present the wire will not heat up properly, rendering it useless.



W



A smaller diameter wire tip, seems to me, to be able to reach the smaller spots. For an initial installation, it seems there are many techniques for the many situations one can encounter. It seems that an initial installation of an SMD has one technique, the removal is another technique, and addition to a component, like external wiring, employs another technique. The ideal situation for a small space application is to simply purchase the proper size soldering tip. But for a few people that like to make do with what they have, this might be worth trying, or it could end up being a total pain in your “Sit-down-equipment”. As my dad used to say, “Don’t knock it if you haven’t tried it.”

Rensselaer County ARES/RACES Net Meets 1st Thursday of each Month at 7:30 PM on 145.17 Repeater



Rensselaer County RACES/ARES will conduct a Radio Net on The First Thursday of the Month on the 145.170 /447.075 TARA Repeater System at 7:30 PM. The purpose of this net will be to advise all members and listeners as to potential events for the month and times and locations for our monthly Simplex nets & meeting location. It was agreed that there will be no meeting for this month due to the potential for foul weather.

On Saturday February 21, 2009 at 2:30 PM we will conduct a Mobile Simplex Net. Additional Information will be posted on the CDTN Net and our Yahoo group. Meet on 145.17 at 2:30 PM and from there we will move to our simplex frequency or as directed by Dave – WA2IGM

GREATER BUFFALO

Hamfest

Saturday - March 7, 2009

"Ismailia Shrine Center"



Large Indoor Hamfest - Breakfast & Lunch
ARRL Talks / Forum & Demos - Hourly
Drawings * VE Test Session



Ismailia Shrine Center
1800 Southwestern Blvd RT 20
West Seneca, NY 14224
Talk In 147.265 + pl 107.2

Information & Reservations
Hamfest Web Site: gbhamfest.hamgate.net

Indoor Table Reservations for sellers:
Can be made on line on the hamfest web site
Email: kc2blh@aol.com Phone: 716-825-7097
ask for Chuck KC2BLH

Admission: only \$7

Hamfest general info: gbhamfest.hamgate.net

Sponsored By: the Lancaster Amateur Radio Club

From Rochester Take I-190 West. Take exit 54 for RT-400/RT-16 toward W Seneca/E. Aurora. Merge onto Aurora Expy/RT-400 S
Take the Transit Rd/US-20 W/RT-78 S exit Merge onto RT-78/Transit Rd/US-20 Go south RT-78/Transit Rd/US-20 1.8 mi to
hamfest

Hamfest is on the same road as the Buffalo Bills
Ralph Wilson (Rich) Stadium just 4 miles north east of the stadium

Ismailia Shrine Center

1600 Southwestern Blvd RT 20, West Seneca, NY

Hamfest Information

To reserve sellers tables

Phone (Chuck) 716-825-7097

Email (Chuck) kc2blh@aol.com

Web Site: gbhamfest.hamgate.net

Sponsored by: The Lancaster Amateur Radio Club - W2SO

Long Island Hamfair & Electronics Show

Sunday, March 8, 2009 at Levittown Hall
201 Levittown Parkway, Hicksville, NY 11801

Large Indoor Location!

Doors open at 9:00 AM for Buyers

Doors open at 7:00 AM for Sellers

(ends @ noon to 1 pm "ish")

Pre-Registration is highly suggested!

Limited same day table sale

Pre-Register to insure YOUR space(s)!

Talk-In: 146.850- (PL 136.5)

Phone: 516-694-4937

Fax: 631-574-4851

Email: hamfest@limarc.org

W

The Orange County Amateur Radio Club
Proudly Presents Its Spring

HAMFEST

Saturday, March 28, 2009
8:00 AM - 2:00 PM
Town of Walkill Community Center
2 Wes Warren Drive
Middletown, NY

Featuring:

- ✓ FCC Exams
- ✓ Free Parking
- ✓ Premier Vendors
- ✓ New and Used Rigs
- ✓ Components and Parts
- ✓ Door Prizes
- ✓ Refreshments

Admission:

- Buyers - \$5.00 (Includes Immediate family)
- Tailgating - \$8.00 (8 ft. space)
- Indoor Tables - \$10.00 (Advance Registration by March 10 only) \$8.00 (You supply table)
- (Seller receives one FREE admission per table / tailgate space)

Premier
Mid-Hudson
Valley Hamfest

Talk-In: 146.76 PL (100) Repeater
For More Information & Reservations, Please Contact: _____
Don Sayre, AA2DS 38 Karen Dr., Middletown, NY 10940-6605 845-342-2056 after 6 PM
AA2DS@hvc.r.com

© 2007-2008, Orange County Amateur Radio Club, Inc.

RVWAR's Auction Set for March 16

Once again it will soon be Auction time! If you haven't already been poking through all your gear looking for stuff to sell off, now is the time to dig deep and get things ready to bring to the Noecker Club House on March 16th, 2009.

We're always looking for good used equipment... low band as well as VHF/UHF rigs, antennas, power supplies, amplifiers, tuners, coax, ladder line, what-have-you! Computer stuff hasn't done well in past years, so unless you have an older, serviceable laptop that will run PSK, it would be better to leave it at home.

Again this year, we hope to have the magic duo of Shelly and Wayne as our Auctioneers. Don't forget to label your junk, er... equipment with at least your call sign and the lowest price you will accept.

The Auction is one of RVWAR's biggest fund raisers, so bring things to auction and bring lots of cash to buy!

With the addition of many new hams to our ranks, good used rigs are needed. The coffee pot will be on with some goodies to munch on while you are bidding! 50/50 too! Bring a friend!

This always proves to be a fun event with the Ripper's and should be especially good with all of the new people they have brought into the hobby in the last year, so the attendance should be good and the bidding should be quite interesting.

We haven't got the Starting time yet but it is usually around 6:30 to 7:00 PM so I would say get there early and you won't be disappointed.

WorldRadio Now Available Online Free

The very interesting February 2009 issue of World Radio magazine is now available online at <http://www.cq-amateur-radio.com/WorldRadio.html>

The following was from a recent issue of ARRL Letter when WorldRadio was taken over by CQ Magazine:

WorldRadio to Cease Print Publication: In a joint statement, WorldRadio Publisher Armond Noble, N6WR, and CQ Publisher Dick Ross, K2MGA, announced that WorldRadio magazine will no longer be published as a print magazine. According to the announcement, CQ Communications Inc has acquired WorldRadio and plans to continue it as an online publication on CQ's Web site. WorldRadio subscribers will have their subscriptions transferred to CQ magazine.

WorldRadio Online_

Ham Radio Class Forming Now!

Sponsored by
East Greenbush

W2EGB

Amateur Radio Association

The Technician license (entry level) is your gateway to the world-wide excitement of Amateur Radio....

...and now you DO NOT need to learn Morse Code!!!!

When: Study Class with live radio demonstrations on **Saturday, March 7, 2009 at 8:30 A.M.**, with the test given on **Sunday, March 8, 2009**

Location: East Greenbush Masonic Temple
(710 Columbia Turnpike, East Greenbush)

For more information visit www.K2CK.us

- or -

Email: WB2FOB@W2EGB.org

Pre-Registration is required no later than February 14, 2009

TARA CLUB OFFICERS – 1 YEAR TERM

President: Bill Eddy, NY2U.....273-9248
Vice President: Karen Smith, KS2O.....273-6594
Secretary: Marilyn Davis, KB2JZI.....272-0112
Treasurer: Howard Cummings, N2HIC... 786-3622

TARA DIRECTORS - 2 YEAR TERMS

Ken Davis, KB2KFV.....(06-08)..272-0112
Mac Smith, KB2SPM.....(06-08)..273-6594
Roy Warner N2OWC.....(07-09)..283-8485
Steve VanSickle WB2HPR.....(07-09). 461-2354
Ken Smith WA2TQK..... (07-08)...233-7055

REPEATER MANAGER:

Roy Warner, N2OWC.....283-8485

Asst Manager

William "Doc" Kelley, KC2JDW.....235 -5063

REPEATER TECHNICAL ADVISORS:

Robert Isby, N2LUD (Our Main Man)

John Pritt, N1JP..... 753-6231

MEMBERSHIP COMMITTEE: NEW

Membership Manager & Greeting Chairman

Craig "SHREK" Wood –W2XAD...370-5224

REFRESHMENT COMMITTEE:

Karen Smith, KS2O.....273-6594

NOTICE: THE EDITOR AND STAFF OF THIS NEWSLETTER WILL NOT ASSUME ANY RESPONSIBILITY FOR THE CONTENTS, ACCURACY, OR READABILITY OF THIS PUBLICATION. HOWEVER, BY READING THIS NOTICE, IT BECOMES THE RESONSIBLTY OF THE READER TO HELP PROMOTE GOOD OPERATING PROCEDURES AND PRACTICES ON THE AIRWAVE'S

THE TARA NEWS

Troy Amateur Radio Association, Inc.

P.O. Box 1292

Troy, New York, 12181-1292



Visit us on the Internet

At <http://www.n2ty.org/>

Regular monthly Meeting

Tuesday, February 24, 2009

7:30 p.m.

Green Island Municipal Center

Intersection of

George St. & Hudson Ave.

Green Island, New York

Ample Parking

Parking Lot on Hudson Ave.

RDF COMMITTEE:RDF Manager -

Richard Neimeyer – W2ABY.....489-0799

EQUIPMENT MANAGER:

Roy Warner, N2OWC.....283-8485

TARA WEBMASTERS:

Bill Eddy, NY2U.....273-9248

TARA HF CONTESTING:

Bill Eddy, NY2U.....273-9248

HF DX & Contest Manager - NY2U

I'm getting sick of asking ☺

TARA VHF/UHF CONTESTING:

Contest Manager - Ray Ginter, N2ZQF

PUBLIC SERVICE EVENTS:

Karen Smith, KS2O..... 273-6594

Mac Smith, KB2SPM.....273-6594

EDUCATIONAL DEPARTMENT:

Ken Davis. KB2KFV..... 272-0112

TARA HISTORIAN:

Karen Smith, KS2O.....273-6594

N2TY-" N2TY-"TROY" NODE

DEPARTMENT:

Russ Greenman – WB2LXC

N2TY-BBS SYSOP:

Mike Styne KC2JCJ... 518-330-7592

ATVET (ALB/TROY) VE TEAM:

Gerry Murray WA2IWW...482-8700

FIELD DAY 2009 CHAIRMEN:

Bill Eddy, NY2U..... 273-9248

Steve Kopecky, KF2WA 674-4150

Karen Smith, KS2O..... 273-6594

Ken Smith, WA2TQK.....233-7055

VHF/UHF EQUIP. CHAIRMAN

Hollins Meaux, N2YQW...465-7678

NEWSLETTER DEPT:

Editor-in-Chief: Perry White

Editor: Ken "Chief" Davis, .. KB2KFV

Co-Editor: Marilyn Davis...KB2JZI

Co-Editor: Karen Smith KS2O

Design/Layout: Ken Davis, KB2KFV

Columnists:

Joe Pasquini N2NOU

Steve VanSickle WB2HPR

Cartoonist:

Dave Leavenworth WB2TGN

PLEASE SEND ELECTRONIC CORRESPONDENCE TO E-MAIL

KB2KFV@aol.com or

KB2JZI@aol.com or

WWW: <http://www.n2ty.org/>

Troy's Full Service Repeaters

145.170/R

447.075/R