



THE TARA NEWS

AN ARRL SPECIAL SERVICE CLUB

Affiliate of the American Radio Relay League



Volume 13

Issue 4

April 2002

Dayton Hamvention Tightens Security

If you're planning to attend this year's Dayton Hamvention®, be sure you have photo ID handy and be prepared to have your stuff searched. The Hamvention 2002 brochure outlines an array of security precautions that will be in place for this year's event, and they are creating quite an uproar among many hams, according to Hamvention Executive Director Garry Matthews, KB8GOL, who says the brochure material "wasn't written correctly" and was too negative in tone. According to Matthews, most of the rules on the list have been in effect for years, but this is the first time they have been put into writing. He says 99% of Hamvention attendees will not notice anything different from past years.

Among the rules that will be in effect are that everyone must show photo ID upon request and must be prepared to have vehicles, merchandise and personal items searched. No weapons will be permitted, while large containers such as backpacks will be allowed but may be subject to search. Matthews says there will be tighter scrutiny of vendors as they bring truckloads of stuff into the flea market or exhibit halls. "We are not trying to impact the ease and vitality of Hamvention by becoming over-restrictive," explains Matthews. "We're just trying to do common-sense things that let us provide security for a show this size." Matthews encourages people with questions about security procedures to visit the Hamvention website's security FAQ (frequently asked questions) page at http://www.hamvention.org/security_faq.htm.



FCC Goes After QRM Violators

Interference matters have been on the front burner recently at the FCC's amateur enforcement desk. A newly-licensed ham in Texas has his license grant set aside after the FCC said it learned that he'd been on the air before his license was issued and had interfered with an amateur attempting to report a tornado sighting. After a request for additional information was declined, the Commission dismissed the original amateur license application. A ham in Pennsylvania has been warned that he might face fines and possible criminal prosecution for allegedly interfering with amateur repeaters, two county emergency management communications systems and the Pennsylvania Turnpike radio system. A power company in Alabama has been told to cooperate with a local amateur in resolving electrical interference problems, as has a Georgia man whose electric fence has apparently been causing interference on a variety of radio frequencies. Both cases involving non-amateurs were also referred to the ARRL for help in resolving the problems.

IN THIS ISSUE

Dayton Hamvention Tightens Security	Page 1
New Digital Contest Chairman	Page 2
Letter of Appreciation / TARA Comments	Page 3
Ex- Ham Imprisoned	
CDCENY, Inc. to make Presentation	Page 4
TARA Soda Drive and Anniversary Party	
N2NEH on DX-PEDITON to UK- 6M/10M	
Amateurs Help Sailboat	Page 5
FCC Increases Vanity Fee's	
Tara Tech Toy Raffle	
Special Event Railroad Station	
Product Review - Yaesu VX-7R	Page 6
Active Attenuator Construction Project-	Pages 7&8
Public Service News	
APRIL PSK Rumble	Page 9

Next Meeting - April 16, 2002 7:30 pm

Green Island Municipal Center

TARA's

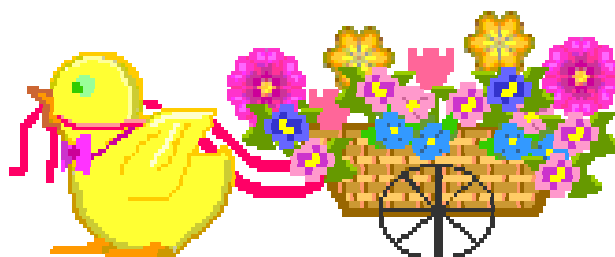
11TH Anniversary Party

Bring Your Appetite

Guest Speaker Presentation

by

**Capital District Computer Enthusiasts
of N.Y., Inc.**



NEW TARA DIGITAL CONTEST CHAIRMAN ANNOUNCED

After 10 years of serving as TARA's Digital Contest Chairman I'm stepping down from this position, effective immediately. Now that doesn't mean that I'll be going away totally. I'll just be less involved in the overall operations of TARA's PSK & RTTY contests. As I stated I've been doing this on behalf of TARA for just a little over 10 years now. I'm quite proud of my accomplishments over this period of time, most notably the **TARA RTTY Sprint**. I had barely gotten my feet wet in the field of RTTY and here I was try to develop a contest on behalf of my club. I first had the assistance of Peter Hines, N2KAD and between the two of us we got the 1st TARA RTTY Sprint up and running. Since that memorable date I can remember many of times of how I asked for help from such notable hams as Ron, K5DJ, Don, AA5AU & Shelby, K4WW. There were also many more so I had better stop right here before I forget to mention somebody and I'd feel terrible about that.

Quite a few years ago I had the great fortunes of working with a talented and gifted Ernie Mills, WM2U. Ernie was the driving force and designer that purposed we (TARA) sponsor the World's very first PSK contest. Well, it took a whole 30 seconds to realize that he wasn't kidding and I think within a week he had a full blown set of "Rules & Regulations" waiting for my first review. As usual with any of Ernie's work it was brilliant and ahead of its time! Ernie's never subscribed to the rule of the "Neanderthal Hams" and after many years of all sorts of HF contesting he finally wanted to present his spin on what contesting should be. Well, I think you all are aware of what happened next. TARA sponsored Ernie's ideas and recommendations and the rest is now in the history books.

There are a few more accomplishments I'm proud of but that's not what I'm here to tell you. I'm here to thank each of you that have helped me along this long road. It's been incredible the amount of support that you folks have rendered me and I'll never for get you. I've made some really stupid mistakes along this journey but each and every time I would have someone kind enough to reach their hand out and guide me in the right direction. Again, I thank all of you that have given me your guidance and have shown total patience from someone like myself that can be very pigheaded at times.

If there are any of you that I've offended during my shift I apologies from the bottom of my heart. If there were some of you that offered suggestions or assistance that I never responded to, or simply overlooked, again, please accept my apologies. And for those of you that we never quite saw things in the same light of day, I hope you didn't take it personally, it's just that we all think and act differently. One thing I've tried over the years is to admit when you're wrong, and not just accept the praise that this position brings at times. There were times I had to accept the blame when things didn't turn out right, but that was and still is part of the job. I hope all of you have found that to be true of me.

OK. With that all said and done I'd like to introduce TARA's "New" Digital Contest Chairman, Ed Eades, KC2HNC. Ed is a new amateur, only being licensed for about 2 years now. Already he has taken a fond liking for the digital modes and has become a total team player. Within our club Ed has exhibited his skills to be a team leader and he has a great ability to "get the job done!"

Ed first approached me with his offer to help me out with the digital contest stuff and I in turn asked if he'd be willing to take this position over. Immediately he replied sure! But, he made it clear that he'd need more help. He wanted it to be a total team that supported our contest efforts and not a one man show!

Ed has a few ideas of his own that he would like to try in the upcoming days/months/years, so please keep an eye out for his announcements as they come. Also, he's made it perfectly clear that the only thing he is doing is overseeing the operations/ sponsorship of our present PSK & RTTY contests. He is looking forward to working side-by-side with Ernie Mills, WM2U, with the PSK Rumbles and myself with the RTTY Sprint. I know that he'll work diligently to make sure that TARA's presence in the HF Digital Contesting remains at the top of the list!

I ask of each of you to please welcome Ed aboard to this new position and I hope you'll show him the same guidance and support as you have given me over the years. If you have suggestions, send them along. If you'd like to volunteer your services on the TARA Digital Team, I'm sure that would delight him. Most of all keep him informed of your likes/dislikes. After all, these contests are NOT just TARA's, they belong to each of you that participate each year!

Ed Eades, KC2HNC - TARA's Digital Contest Chairman

E-mail: kc2hnc@n2ty.org - eds@berk.com - Ed_Eades@hesc.com

TARA N2TY Website : www.n2ty.org PSK Rumble Website: www.qsl.net/wm2u/

Thank You!

William J. Eddy, NY2U

ny2u@n2ty.org



Letter of Appreciation

Ladies and Gentlemen,

Today, I received a nice certificate recognizing me for my participation in the 2001 Fall Classic Rumble, and for my contribution to the winning Team Challenge "World Team". I didn't expect that, and I was surprised and touched when I opened the envelope.

Please accept my thanks to each of you for organizing a great contest, for compiling the scores and for doing a great job with the awards. I just returned to ham radio after a long absence, and I am pretty new to PSK and contesting in general, and I am having a blast! I was fortunate to be teamed with Bill, Duncan, Ludek and Steve.

You folks are doing a great job! It's unfortunate, that when things go smoothly, it makes it look easy. Bill, you have a great crew with Ernie, Karen and Joe. I hope you guys are never taken for granted. Thanks for all the attention to detail, all the leg work, and for the energy you put in to make this event happen. Thanks to you, we have a great future!

Best 73, Bill Schwantes, KG6EXF

TARA Club Response

What a classy message! Thanks KG6EXF

I guess it goes to prove we still have a few operators out there that really appreciate the efforts that TARA has taken to sponsor these contests. It's very refreshing and quite exciting to read such input, especially when the ones that did all the work get the proper recognition! We've also received input from Gabriele Antonielli (SWL Operator); Heinz, OE1WEU & Chris, KC8LJN all of them had positive remarks for the PSK Rumble and those that made it possible.

I've got more good news for you. Ed Eades, KC2HNC, has volunteered his services as HF Digital Contest Chairman for TARA and I'll be stepping down. Ed has really taken a fond liking for the digital modes and he's very creative. Already he has expressed several ideas he'd like to try in the future with RTTY Sprint. If every -thing goes accordingly I think you'll see some BIG changes with the RTTY Sprint this coming December. I hope you're as excited as I am. I'll keep you posted!

73 DE NY2U, Mr. Bill

Hot Off The Press!!!!

NASA says the White House has withdrawn the nomination of Marine Corps Major General and former astronaut Charles F. Bolden, KE4IQB, to be the space agency's next Deputy Administrator. Bolden, the first African-American astronaut to obtain a ham license, is currently Commanding General of the 3rd Marine Aircraft Wing, based in San Diego.

The NASA announcement did not say why Bolden's nomination was withdrawn, but suggested that the Defense Department objected to losing him from an active military command during the war on terrorism. NASA Administrator Sean O'Keefe said the agency was disappointed that Bolden would not be returning at this time. "However," he added, "at this critical juncture in our nation's history, we must understand how vital it is for America to focus all its military resources on the immediate national security imperatives ... Given the ongoing war on terrorism and the imperative expressed by the Secretary of Defense that all uniformed military personnel serve to advance the President's objective to win the war, we fully support the President's decision."

There was no immediate word on who would be named to the number two post at NASA instead of Bolden.

Ex-Ham Imprisoned for Unlicensed Operating and Parole Violation

Last November 8, the FCC issued amateur license KG6IRO to Jack Gerritson of Los Angeles, California, then two weeks later set aside the grant after learning that Gerritson was on parole for a 1999 conviction for causing interference to the Los Angeles Police Department's radio system. A condition of his parole was that he was prohibited from possessing radio transmitting equipment.

According to the FCC, Gerritson continued operating on the ham bands even after his license was revoked and caused deliberate interference to numerous LA-area repeaters, and made death threats on 2 meters. On January 29, FCC agents and local law enforcement officials arrested Gerritson in a pre-dawn raid. The FCC says that at the time of his arrest, Gerritson had over 20 radios in his possession, eight of which were capable of operating in the amateur, marine, land mobile and public safety bands. One of them, a marine radio, was allegedly found hidden in a closet with batteries connected to it and a length of antenna line running outside his residence. According to the FCC, Gerritson is being held without bail on charges of parole violation.





***CDCENY, Inc. Computer Users Group
to provide Guest Speaker Presentation
at 11th Anniversary Party of the
Troy Amateur Radio Association***



The Capital District Computer Enthusiasts of New York, Inc. (CDCENY), a local computer user group, is pleased to announce that it will be taking its very successful "Questions and Answers" session on the road. CDCENY will be presenting its Q & A session to the Troy Amateur Radio Association, Inc. (TARA) on Tuesday, April 16 at 7:30PM at the Green Island Municipal Center.

CDCENY is one of the oldest and largest computer user groups in upstate New York. The club, which is over twenty-two years old, has nearly two hundred members and is active in local outreach programs such as the WMHT Auction, local computer shows and other community service events. The club also maintains several special interest groups as well as a newsletter and web site. Monthly general meetings are held at the Bethlehem Public Library in Delmar, and SIG meetings are held at various locations.

Speakers for the presentation will include:

- Bill Wurster, President
- Steve Garee, Special Interest Group Leader
- Joe Pasquini, N2NOU, Newsletter Editor and Vendor Liaison

Bill Wurster will be the emcee for the presentation, which will include some brief history about the group. Bill will also provide details about the upcoming CDCENY sponsored bus trip to New York City to attend TECHXNY (formerly known as PC Expo) on Tuesday, June 25th.

Many amateur radio operators use personal computers in their shacks every day. If you have been experiencing any pesky PC problems, write down your questions and bring them with you to the April TARA meeting. The gang from CDCENY will do their best to help you out! Membership information, TECHXNY applications and newsletters will be made available to all those in attendance.

For more information on CDCENY, please visit <http://www.global2000.net/cdceny> or send an email to cdceny@global2000.net.

N2NEH - The Galloping DXer

Next Stop - The United Kingdom

Attention All DXer's !!!! Chris Linck – N2NEH is again traveling the globe. He will be in England from 4/4 to 4/10, 2002 operating as G/N2NEH from Southport, England. Chris advises that, "I'll confine my activities to 6M on 50.110 MHz and 10M on 28.485 MHz as start up frequencies. I've also signed up to operate the UKSMG (United Kingdom Six Metre Group) convention station from Nantwich, England on 4/6/2002...this will be a strictly 6M operation with oodles of power."

73,

Chris

TARA'S ANNUAL SODA DRIVE

In April we start our Annual Soda Drive. We are again asking everyone to please bring a couple of six packs of your favorite soda to the next three (3) monthly meetings.

The soda will be collected, near the front entrance of the meeting hall by Karen and Mac Smith. It is requested that you bring either cans or plastic. ***NO GLASS BOTTLES, PLEASE.***

You can help out with the Field Day by assisting the club in collecting enough beverage, to cover the weekend and maybe even some future meetings.

ANY SODA DONATIONS ARE GREATLY APPRECIATED.

If you have any questions, please contact Karen Smith at 273-6594 or e-mail at kb2uuc@n2ty.org

TARA'S 11th Anniversary Party

On Tuesday, April 16, 2002 The Troy Amateur Radio Association will celebrate its 11th year with its' traditional dining celebration of gourmet food made by members in their own, Little Ol' Kitchen's, plus all the goodies that Karen, KB2UUC has in store for us.

To make this, the Great Party that it always has been. Karen could use your help by preparing your Own specialty to be shared with your TARA Family. If there is a special dish you would be willing to prepare please call Karen @ 273-6594.

AMATEURS SUMMON HELP AFTER SAILBOAT RUNS AGROUND

Vigilant members of the Maritime Mobile Service Net on 20 meters relayed calls for help from a sailing vessel that ran aground March 26 off the northern coast of Cuba. Aboard the sailing vessel Tao were Dave Beane, G0TAG, and his wife, Sara, whose frantic calls on the Net frequency got a quick response. Unconfirmed reports via Amateur Radio indicate the couple has been rescued and that efforts to salvage the vessel were under consideration.

"She was in a big panic, and then they just stopped transmitting," reported Ed Petzolt, K1LNC. US Virgin Islands ARRL Section Manager John Ellis, NP2B, said that less than an hour earlier, Beane had checked into the MMSN to say the couple had enjoyed a visit to Cuba and was planning to sail around to the south side. Ellis said the vessel had run aground on a reef. The couple called for help from the Cuban authorities but got no response. Mike Pilgrim, K5MP, notified the US Coast Guard. Petzolt contacted the Swiss Embassy, which put him in touch with the Cuban mission in Washington, which, in turn, contacted authorities in Havana by radio. The US Coast Guard was only able to contact the Cuban authorities via telex.

It's not yet known what agency was able to assist the Beanes or where they are now. Petzolt reports that he received "third-hand" information via the Waterway Net March 27 that the couple had been rescued and was safe. Ellis said the MMSN had "excellent cooperation and assistance" during the incident from net control Frank Kelly, N3FK, Petzolt, Pilgrim and Dave Dalziel, N4ICE. "There were a number of others on frequency available to help, but all maintained top-notch order and control." he added.

FCC PROPOSES TO RAISE VANITY FEE

The FCC has proposed raising the regulatory fee it charges vanity call sign applicants from \$12 to \$14.50 for the 10-year license term. The FCC included the proposed new fee in a Notice of Proposed Rulemaking (MD Docket No. 02-64) released March 27 to set Fiscal Year 2002 fees.

The effective date will be announced in the Report and Order that terminates the proceeding. If it's approved, the new fee likely will become effective sometime in September.

The FCC has estimated that 8000 applicants would apply for vanity call signs in FY2001. Applicants for Amateur Vanity Callsigns will continue to pay the \$12 regulatory fee per call sign (per 10-year license term) until the FY2002 fee schedule becomes effective. The vanity fee is paid at the time of application for a new, renewal or reinstated vanity license.

Comments are due April 23; reply comments are due May 3.

TROY AMATEUR RADIO ASSOCIATION, INC.

1 ST PRIZE: PALM VII x PDA - Internet Ready with Full Size Pocket KEYBOARD + Hot Sync

2 ND PRIZE: \$ 40.00 CASH

3 RD PRIZE: DINING for TWO at Frank's Diner

25 Lower Hudson Ave., Green Island Valued at \$20.00

DONATION: \$2.00 each or 3/ \$ 5.00 Drawing to be held: June 22, 2002 5:00pm

NEED NOT BE PRESENT TO WIN

For Tickets: Contact Mr. Bill - NY2U, Hollins - N2YQW or Karen - KB2UUC

TECH TOY RAFFLE



Special Event Station

The Harrisburg (PA) Radio Amateur's Club will host a special event the 6th and 7th of April 2002. This event will celebrate the 100th anniversary of the world's longest **Masonry Railroad Bridge**. Operation will be on 29.450, 221.350, 147.55, and 7.230 (all freqs +/-). The club repeater (146.760, - offset) will also be used for those with a Technician license. Full details on page 94, April 2002 QST.

Hope to talk with some of you.

73

Chuck, N3WL



The New Yaesu VX-7R Handheld

Boon or Bust – You Decide

VX7 Specifications-General

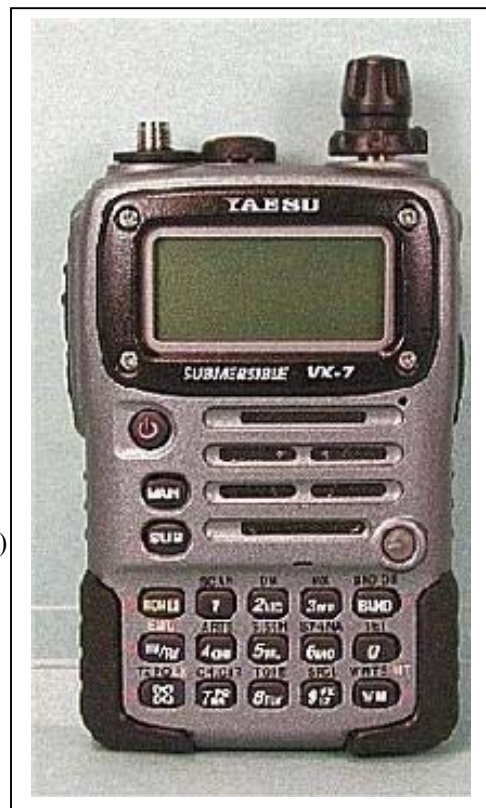
Frequency Ranges: MAIN Rx: 05-1.8 MHz (BC Band) 1.8-30 MHz (SW Band)
30-59 MHz (50 MHz HAM: USA version) 30-76 MHz (50 MHz HAM: EXP version)
59-108 MHz (FM: USA version) 76-108 MHz (FM: EXP version)
108-137 MHz (Air Band) 137-174 MHz (144 MHz HAM)
174-222 MHz (VHF-TV) 222-225 MHz (220 MHz HAM: USA version)
225-420 MHz (ACT1: Action Band 1: USA version)
222-420 MHz (ACT1: Action Band 1: EXP version)
420-470 MHz (430 MHz HAM) 470-729 MHz (UHF-TV: USA version)
470-800 MHz (UHF-TV: EXP version)
800-999 MHz (ACT2: Action Band 2, cellular Blocked)
SUB Rx: 50-54 MHz
137-174 MHz 420-470 MHz Tx: 50-54 MHz (MAIN & SUB)
144-146 MHz or 144-148 MHz (MAIN & SUB) 222-225 MHz ((MAIN, USA version)
430-440 MHz or 430-450 MHz (MAIN & SUB)
Channel Steps: 5/9/10/12.5/15/20/25/50/100 kHz Emission Type: F2, F3, A3
Frequency Stability: ± 5 ppm (-10°C to $+50^{\circ}\text{C}$ [$+14^{\circ}\text{F}$ to $+122^{\circ}\text{F}$])
Antenna Impedance: 50-ohm Supply Voltage: Nominal: 7.4 V DC, Negative Ground
Operating: 10-16 V DC, Negative Ground (EXT DC jack)
Current Consumption: 150 mA (Mono Band Receive)
(Approx.) 200 mA (Dual Band Receive)
55 mA (Mono Band Receive, Standby, Saver Off)
100 mA (Dual Band Receive, Standby, Saver Off)
25 mA (Mono Band Receive, Standby,
Saver On "Save Ratio 1:5")
50 mA (Dual Band Receive, Standby,
Saver On "Save Ratio 1:5")
400 μA (Auto Power Off)
1.6/1.3/1.0/0.7 A (50 MHz, Tx HI/L3/L2/L1)
1.7/1.4/1.1/0.8 A (144 MHz, Tx HI/L3/L2/L1)
0.6 A (220 MHz, Tx)
1.8/1.5/1.2/0.9 A (430 MHz, Tx HI/L3/L2/L1)
Operating Temperature: -20°C to $+60^{\circ}\text{C}$ (-4°F to $+140^{\circ}\text{F}$)
Case Size (W x H x D): 60 x 90 x 28 mm (2.4 x 3.5 x 1.1 inch)
w/o knob & antenna Weight (Approx.): 250 g (8.8 oz)

Transmitter:

RF Power Output: 5/2.5/1.0/0.5 W (50/144/430 MHz, FM)
0.3W (220 MHz, FM) 1.0W (50 MHz, AM)
Modulation Type: FM: Variable Reactance
AM: Early Stage (Low Level) Maximum Deviation: $\pm 5/\pm 2.5$ kHz
Spurious Emission: At least 60 dB below (@ Tx 1W)
Microphone Impedance: 2 k-ohm

Receiver:

Circuit Type: N-FM, AM: Double-Conversion Superheterodyne
W-FM: Triple-Conversion Superheterodyne
IF: 1st: 47.25 MHz (N-FM, AM) 45.8 MHz (W-FM)
2nd: 450 kHz (N-FM, AM) 10.7 MHz (W-FM) 3rd: 1 MHz (W-FM)
Sensitivity: MAIN Rx: 3.0 μV for 10 dB S/N (0.5-30 MHz, AM)
0.5 μV for 12 dB SINAD (30-50, N-FM)
0.16 μV for 12 dB SINAD (50-54, N-FM)
Selectivity: 15 kHz/35 kHz ($-6\text{dB}/-60\text{dB}$: N-FM, AM)
200 kHz/300 kHz ($-6\text{dB}/-20\text{dB}$: W-FM)
AF Output: 200 mW @ 8 ohm for 10 % THD (@ 7.4 V DC)
400 mW @ 8 ohm for 10 % THD (@ 13.8 V DC)



It's Your Decision !!!

Pardon me for asking dumb questions, but why is everyone so hopped up about another 4 band HT except that they added 300mw 220Mhz and 1.0 watt 6m AM capability It's nice to have a radio that listens to HF and the new VX-7 has HF receive capabilities that was missing on the VX-5 and the dimensions are approximately the same as the VX5 but I see no mention of information that it is BFO capable for listening to sideband and digital modes. Don't get me wrong, Yaesu has gotten their act together, with some top shelf equipment. I have two VX 150's that are bulletproof.

Im hearing locally it wont be until June or July when production begins. ---Heck Yaesu will not even admit that this radio exists let alone when they will release it. Most likely it will be announced at Dayton and released in June or July of this year. Sort of a hefty price, too. Rumors have it that the radio will be between \$350 to \$400.

For more Information on the Yaesu VX-7 go to:

FCC Website -

<http://www.fcc.gov/oet/fccid/>

Grantee Code K66 Product code vx-7r

Strong Signals Website -

http://www.strongsignals.net/access/content/r_r_vx-7r.html

New Yahoo Group -

<http://groups.yahoo.com/group/YAESUVX7/>

Active attenuator

Here's a very interesting design by [Steve Whiteside, N2PON](#) for a combination **Active Attenuator, External S-meter, and Noise Meter**, all of which he's interfaced to his Alinco DJ-F1T HT through the single BNC coaxial connector of the HT! While Steve's circuit cleverly sends all signals to and from the receiver, on the same single coax connection, it can easily be adapted to use separate connections for the incoming RF signal (either straight through or offset by 1 MHz and variably attenuated), the DC voltage for the outboard S-meter, and the wide band audio for the Noise meter. If you don't need all the functionality that this design has to offer, just build the portion that interests you.

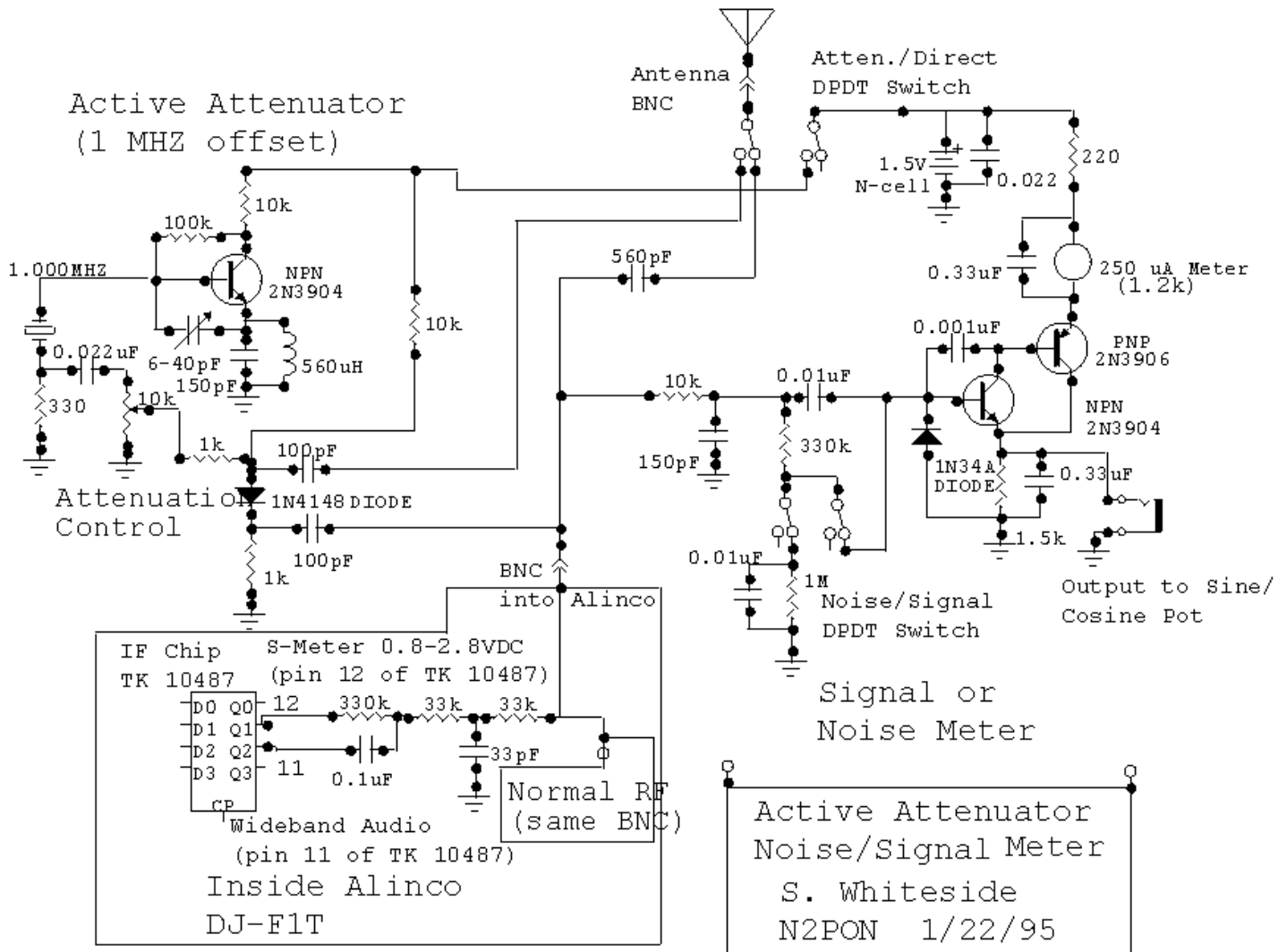
Steve has graciously contributed his design to our "Things To Build" section, and is making it available for any Amateur to duplicate for personal, non-commercial, use. Here are some of Steve's comments.

"The diode mixed RF returns through the normal RF receive section of the Alinco DJ-F1T. The 33k/33pF gives a 60 dB attenuation to 146 MHz. Also the 10k/150pF stops RF from going to the signal/noise meter.

Another nice feature is that the 1 MHz oscillator only draws 160 microamps and the S-meter typically draws 130 microamps at mid scale. So I replace the battery about once a year, as long as I remember to set the switch to Direct when not in use. With no drive from the receiver, there is no leakage through the S-meter section, so no ON/OFF switch is needed.

It is fine with me if anyone wants to duplicate the circuit for their own use. They have to get inside of their HT and solder to the parts. [Unless you're building just the active attenuator portion, in which case you can simply run the output of the attenuator into the antenna jack of your receiver. Ed.] It

Continued on Next Page



This Month's Construction Project

How can we use this design in Fox Hunting? Well, as you get closer to a strong signal, in addition to the rf signal passing through your antenna, going down your coax (possibly through an in-line resistive attenuator) into your receiver, more and more of the strong rf bypasses your antenna and coax, and passes directly through the body of the receiver. Unless your receiver is exceptionally well shielded, soon you're receiving so much through its body that the signal seems equally strong no matter where you point the antenna. What can we do? Use an *Active Attenuator*.

Active attenuators work by mixing the incoming RF signal (from a hidden transmitter on 146.565 MHz, for example) with a signal from a built-in local oscillator (in this case 1 MHz), to produce several useful *new* signals. One is at a frequency that is the SUM of the original frequency and the oscillator frequency, and another is at the DIFFERENCE between the two. If, for example, the incoming signal were at 146.565 MHz, after mixing with the oscillator one signal would be at $146.565 + 1.0 = 147.565$ MHz, and another would be at $146.565 - 1.0 = 145.565$ MHz. The strength of the two signals depend upon both the strength of the incoming (hidden transmitter) signal as well as the strength of the oscillator signal, which we can easily vary by adjusting the 10K potentiometer (the Attenuation control). If we tune our receiver to one of these new frequencies rather than to the frequency of the hidden transmitter itself, we'll see that as we get closer to the transmitter we can keep our receiver's S-meter reading within range by rotating the Attenuation control and reducing the oscillator's strength. And since we're no longer tuned to the actual frequency of the hidden transmitter, we're no longer affected by the strong original signal that passes directly into the body of the receiver, so our directional antenna again works as expected.

The external S-meter in this circuit provides a remote indication of signal strength. The Noise meter is useful in hunting very weak signals. It shows the "quieting" (reduction in noise) that results as an antenna is pointed in the direction of the weak signal. In this schematic Steve has arranged to have the single meter play a dual role, remote S-meter and noise meter, depending on the position of the "Noise/Signal" DPDT switch.

Our Thanks to Steve Whiteside- N2PON for the use of this Article - Editor

PUBLIC SERVICE NEWS

Runnin' of the "Green Island" – A Rousing Success

By: **Karen Smith – KB2UUC**

On Saturday March 9th, in beautiful Green Island, we had our first Community Event of the season " The Runnin of the Green".

We were fortunate to have mild weather, and the race went very well with no problems. There was a total of 3 races. The main race about 4 miles and 2 kiddie races which covered about 2 blocks.

For the "Runnin of the Green" Mac KB2SPM and Russ WB2LXC tried out something new. They put Russ on a bike with APRS and I always knew where the lead runner was. It worked out very well, and we will be trying it out in other races and events.

I want to thank everyone who volunteered and helped me out :

Russ WB2LXC bike & APRS

Kirk N2LGE

Pat KB2SRC

Kenny KBEKFV turn around

Bill KC2IFQ

Ramsay KC2GMW

Marilyn KB2JZI

Barney KB2KDY Rescue squad

Frank KC2HCE

Mac KB2SPM finish-start

Margaret N2PEK water stop

Karen KB2UUC net control

This is the beginning of the Spring public service event season. Upcoming in the next couple months, are the Watervliet Memorial Day Parade and The Freihofer Run for Women in Albany and what ever else comes up, in the near future. Please keep these events in mind, as we are always grateful for any time that you can spare from your busy schedules.

Thanks again and 73,

de Karen - KB2UUC

Happy Easter



Let's Get Ready to "RUMBLE"

7th Annual PSK31 Contest
20th April 2002



The 2002 Spring Wakeup
00:00z through 24:00z

Hello everyone!

It's that time of the year where we once again put on the digital gloves and duke it out with our fellow worldwide PSK'ers & PSK'ettes in the 7th Annual TARA PSK Rumble – Spring Wakeup. We have a major change at the helm and yours truly will be taking over the position of PSK & RTTY Contest Chairman. . Big shoes to fill no doubt, I'm willing take on the responsibility and try my best. I'd like to say thank you to Mr. Bill for this opportunity and to all the members of TARA.

Over the past year or so I became more and more interested in digital modes, being "The New Kid On The Block" I was anxious to get more involved in contesting. I had a lot to learn and still have more to go. Everything I did learn came directly off the TARA repeater system, mainly I listening to the Monday night TNT Digital Net. I thank and very much so appreciate all those who provided information and who helped me get to where I am today in the hobby. You know who you are.

Since becoming "Hooked" on digital modes & contesting I have had one question which generally fell short of a solid answer, which is: Does anyone honor or keep track of points and establish a recognizable World Champion in PSK or RTTY or in any other mode? Basically the answer is, "No". An idea or vision I have, as a contribution back to the hobby is to establish a recognition program and keep track of records set by testers. Over the next several months, I'll be researching information on how to learn more about the events and work to establish a body which will keep track and award those who contest.

With that said, it's time to put up your dukes and ***Get Ready to " RUMBLE "***

73 de Ed - KC2HNC

In Next Month's Issue: PSK Rumble Follow-up, Anniversary Party Pictures, Equipment Reviews and lots more!!!

Special WEB ONLY Feature Article:

Rail-Hamming and A.P.R.S. by Ron Cluster – KB7VIR with Photo's

TARA OFFICERS: 1 YEAR TERMS

President: Bill Eddy, NY2U.....273-9248
Vice President: Karen Smith, KB2UUC...273-6594
Secretary: Marilyn Davis, KB2JZI.....272-0112
Treasurer: Nick Demos, NW2D.....383-3983

TARA DIRECTORS - 2 YEAR TERMS

Ken Davis, KB2KfV.....(00-02).....272-0112
Mac Smith, KB2SPM.....(00-02).....273-6594
Hollins Meaux, N2YQW.(01-03).....465-7678
Jack Culliton, N2LBZ.....(01-03).....271-6763
Randy Stein, KA2TJZ.....(01-03).....498-7838

REPEATER MANAGER:

Roy Warner, N2OWC.....283-8485

REPEATER TECHNICAL ADVISORS:

John Pritt, N1JP.....753-6231
Dave Edwards, W2GBO.....235-6801
Robert Isby, N2LUD.....283-3230

MEMBERSHIP COMMITTEE:

REFRESHMENT COMMITTEE:

Karen Smith, KB2UUC.....273-6594

RDF COMMITTEE:

Craig Wood, N2UID.....370-5224

EQUIPMENT MANAGERS:

Roy Warner, N2OWC.....283-8485
Craig Wood, N2UID.....370-5224

TARA WEBMASTERS:

Bill Eddy, NY2U.....273-9248

TARA HF CONTESTING:

Bill Eddy, NY2U.....273-9248

TARA VHF/UHF CONTESTING:

PUBLIC SERVICE EVENTS:

Karen Smith, KB2UUC.....273-6594
Mac Smith, KB2SPM.....273-6594
Robert Jones, WB2SWA.....273-3072

EDUCATIONAL DEPARTMENT:

Ken Davis, KB2KfV.....272-0112

TARA HISTORIAN:

Karen Smith, KB2UUC.....273-6594

N2TY-BBS NODE

DEPARTMENT:

Ray Szlasa, N2VLY.....233-9308
John LaBarr, KB2UKV 284-2096

N2TY-BBS SYSOP:

Tim Roske, AA2WQ ...489-4346

ATVET(ALB/TROY)VE TEAM:

Gerry Murray, WA2IWW 482-8700

FIELD DAY 2002 CHAIRMEN:

Bill Eddy, NY2U.....273-9248
Randy Stein, KA2TJZ... 498-7838
Steve Kopecky, KF2WA 674-4150
Nick Demos, NW2D383-3983

VHF/UHF EQUIP. CHAIRMAN

Hollins Meaux, N2YQW.465-7678

NEWSLETTER DEPT:

Editor-in-Chief: Perry White
Editor: Ken "Chief" Davis, KB2KfV
Co-Editor: Marilyn Davis, KB2JZI
Co-Editor: Karen Smith, KB2UUC
Design/Layout: Ken Davis, KB2KfV

NOTICE: THE EDITOR AND STAFF OF THIS NEWSLETTER WILL NOT ASSUME ANY RESPONSIBILITY FOR THE CONTENTS, ACCURACY, OR READABILITY OF THIS PUBLICATION. HOWEVER, BY READING THIS NOTICE, IT BECOMES THE RESONSIBILTY OF THE READER TO HELP PROMOTE GOOD OPERATING PROCEDURES AND PRACTICES ON THE AIRWAVE'S .

PLEASE SEND ELECTRONIC CORRESPONDENCE TO E-MAIL

KB2KfV@aol.com or
KB2JZI@aol.com

www: <http://www.n2ty.org/>

THE TARA NEWS

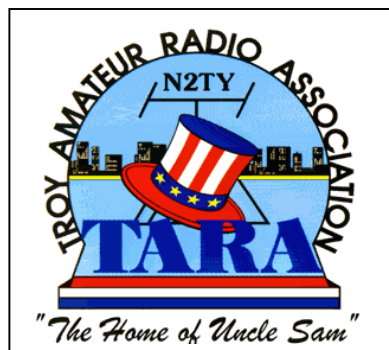
TROY AMATEUR RADIO ASSN, INC.
P.O. BOX 1292
TROY, NEWYORK 12181-1292

OR

Visit us on the Internet

AT

HTTP://WWW.N2TY.ORG/



145.170/R

Troy's FULL SERVICE Repeaters

444.225/R